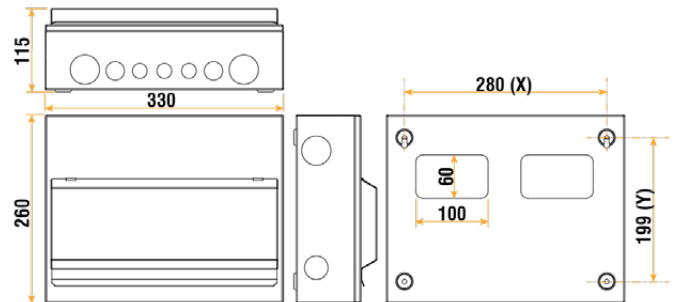


Product Code: CUEB14MSSP10

Description: 14 Way Metal Consumer Unit with 100A mainswitch + 2 Pole SPD (10 free ways)



General Information

Dimensions With Door (mm)	330 (W) x 260 (H) x 115 (D)	
Enclosure Dimensions (mm)	330 (W) x 260 (H) x 92 (D)	
Finish	White (RAL 9003)	
Materials	Enclosure & Cover: Powder Coated Steel	DIN Rail: Galvanised Steel
Rated Operational Voltage (V~) (Ue)	230	
Frequency (Hz)	50/60	
Maximum Rated Current (A) (In)	100	
Free Ways	10	
Total Ways	14	
Device Terminals	Screwed Lug & Pin	
Main Switch Installed	1 x 100A (CU2MS100)	
Main Switch Terminal Capacity (mm²)	35	Main Switch Terminal Torque (Nm) 2.5
SPD Installed	1 x 40kA SPD (CU2SPD275)	
SPD Terminal Capacity - L&N (mm²)	2.5 - 35	SPD Terminal Torque (Nm) 2
SPD Terminal Capacity - PE (mm²)	4 - 35	
Blanks Supplied	2 (Product Code: CU1BLANK)	
E&N Terminals	Screw	
E&N Bars Capacity (mm²)	16	E&N Bars Torque (Nm) 2
Tail Clamp Capacity (mm²)	25	Tail Clamp Torque (Nm) 1.5
Enclosure Side Knockouts (Ømm)	1 x 32 & 1 x 40	
Enclosure Top Knockouts (Ømm)	3 x 20, 2 x 25 & 2 x 40	
Enclosure Bottom Knockouts (Ømm)	3 x 20, 2 x 25 & 2 x 40	
Enclosure Rear Knockouts (mm)	2 x 100 x 60	
Impact Rating	IK05	
Ingress Protection	IP20	
Maximum Humidity (%)	95	
Storage Temperature (°C)	-40 to +75	
Operational Temperature (°C)	-5 to +40	
Warranty (Years)	10	Warranty - Devices (Years) 3
Standards	BS EN 61439-3 BS EN 60947-3 BS EN 61643-1-11	

Additional Information Elucian metal consumer units allow compliance with BS 7671 Wiring Regulations
SPD Cartridge Replaceable For L&N (Product Ref.CU2SPDC275)