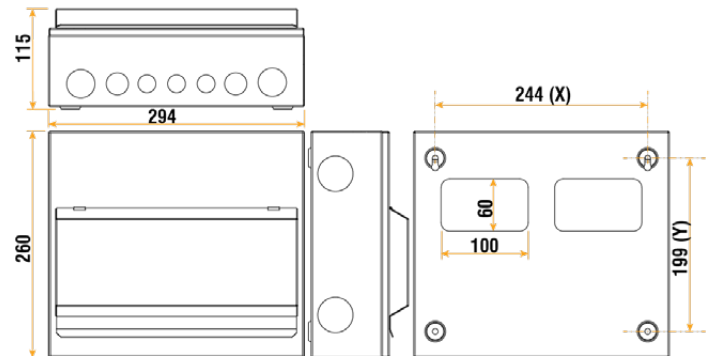


Product Code: CUEB12MS10

Description: 12 Way Metal Consumer Unit with 100A Mains Switch (10 Free Ways)



### General Information

<b>Dimensions With Door (mm)</b>	294 (W) x 260 (H) x 115 (D)	
<b>Enclosure Dimensions (mm)</b>	294 (W) x 260 (H) x 92 (D)	
<b>Finish</b>	White (RAL 9003)	
<b>Materials</b>	Enclosure & Cover: Powder Coated Steel	DIN Rail: Galvanised Steel
<b>Frequency (Hz)</b>	50/60	
<b>Maximum Rated Current (A) (In)</b>	100	
<b>Free Ways</b>	10	
<b>Total Ways</b>	12	
<b>Device Terminals</b>	Screwed Lug & Pin	
<b>Main Switch Installed</b>	1 x 100A (CU2MS100)	
<b>Main Switch Terminal Capacity (mm<sup>2</sup>)</b>	35	<b>Main Switch Terminal Torque (Nm)</b> 2.5
<b>Blanks Supplied</b>	2 (Product Code: CU1BLANK)	
<b>E&amp;N Terminals</b>	Screw	
<b>E&amp;N Bars Capacity (mm<sup>2</sup>)</b>	16	<b>E&amp;N Bars Torque (Nm)</b> 2
<b>Tail Clamp Capacity (mm<sup>2</sup>)</b>	25	<b>Tail Clamp Torque (Nm)</b> 1.5
<b>Enclosure Side Knockouts (Ømm)</b>	2 x 40	
<b>Enclosure Top Knockouts (Ømm)</b>	4 x 20 & 2 x 40	
<b>Enclosure Bottom Knockouts (Ømm)</b>	3 x 20, 2 x 25 & 2 x 32	
<b>Enclosure Rear Knockouts (mm)</b>	2 x 100 x 60	
<b>Impact Rating</b>	IK05	
<b>Ingress Protection</b>	IP20	
<b>Maximum Humidity (%)</b>	95	
<b>Storage Temperature (°C)</b>	-40 to +75	
<b>Operational Temperature (°C)</b>	-5 to +40	
<b>Warranty (Years)</b>	10	<b>Warranty - Devices (Years)</b> 3
<b>Standards</b>	BS EN 61439-3 BS EN 60947-3	

### Additional Information

For cleaning / polishing of products, use only a soft, dry, clean cloth.  
Elucian metal consumer units allow compliance with BS 7671 Wiring Regulations